



Damrongsilp
GROUP



MVP

THE ECONOMIC MVP

2X2 seat Configuration,
Manual Reclining, Back Handle
Maximum Reclining 135 Degree

Options :

Genuine/Fabric/PVC Upholstery,
Manual Leg Support, Cup Holder,
Footrest, Magazine net, Foodtray,
Massager Vibration / Air Massager
Single Armrest Wood/Black PU
Double Armrest/ Triple Armrest
Seatbelt 2 points Manual/ Auto
Seatbelt 3 points Auto
7"Seatback Monitor Enable

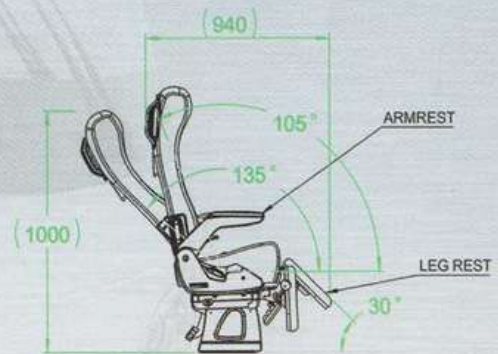
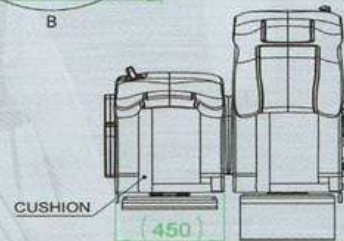
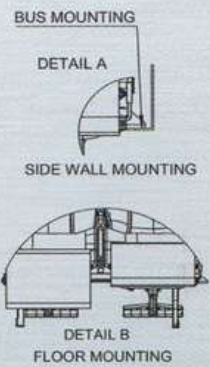
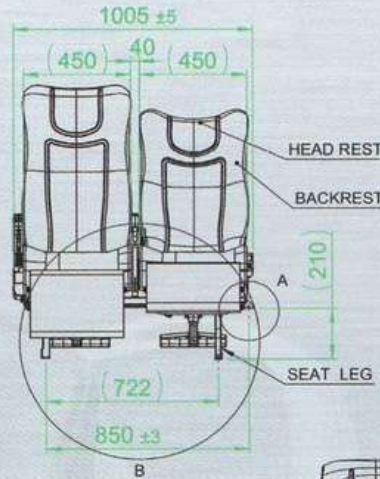
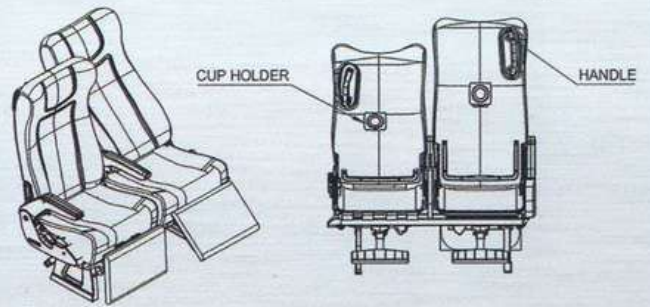


**MANUFACTURING AND EXPORTING AUTOMOTIVE SEATS
AND ACCESSORIES FROM HIGH TECHNOLOGY EQUIPMENTS
AND INTERNATIONAL STANDARD QUALITY**

AUTOMOTIVE SEAT LEADER

AUTOMOTIVE SEAT LEADER

MVP : Specification



Using the very latest,
highly automated
manufacturing systems.

DAMRONGSILP GROUP

95 Moo 1 Malaiman Rd., Tungcok, Songpheenong Suphanburi 72110 Thailand
Tel. +66 0 3547 3873-4 Fax. +66 0 3554 1269, +66 0 3546 2852

<http://www.facebook.com/damrongsilpgroup>

Website : <http://www.damrongsilp.co.th> Email : info@damrongsilp.co.th

