



Damrongsilp
GROUP



AERO DX (THE COCOON)

THE PREMIUM COACH SEAT

2X2 Privacy seat with back Cocoon Shelf,
Electric Reclining, Electric Leg Support,
Manual Footrest, USB Charger,
24 Voltage, Woodgrain Equipped
Maximum Reclining 135 Degrees



MANUFACTURING AND EXPORTING AUTOMOTIVE SEATS
AND ACCESSORIES FROM HIGH TECHNOLOGY EQUIPMENTS
AND INTERNATIONAL STANDARD QUALITY

AUTOMOTIVE SEAT LEADER

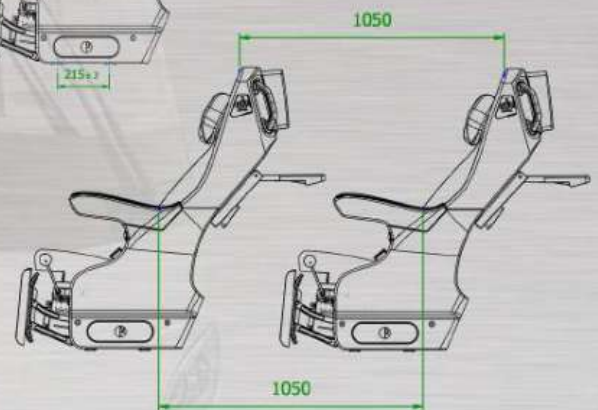
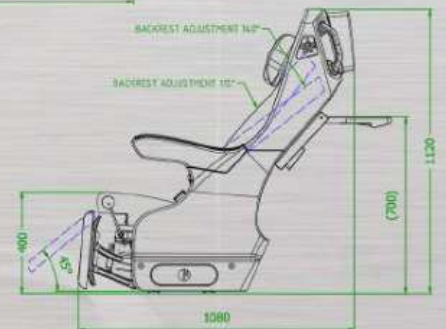
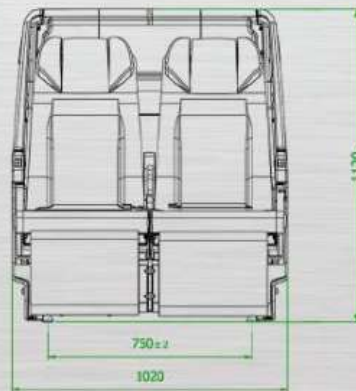
AUTOMOTIVE SEAT LEADER

AERO DX : Specification



Options

Upholstery	Genuine Leather/Fabric/PVC
Leg Support	Manual Type/Electric Type
Armrest	Double armrests
Seatbelt	2 Points Manual/Auto or 3 Points Auto
Handle	At the back
Monitor	10"-12" At the back
Cup Holder	At the back with foodtray
Magazine net	At the back
Footrest	Manual Type/Electric Type
Massager	Vibration Type/Air Type
Foodtray	At the back
USB Charger	12V/24V Enable
Side Slide	Unable
Leg Mounting	Floor Mounting



Using the very latest,
highly automated
manufacturing systems.

DAMRONGSILP GROUP

95 Moo 1 Malaiman Rd., Tungcok, Songpheenong Suphanburi 72110 Thailand
Tel. +66 0 3547 3873-4 Fax. +66 0 3554 1269, +66 0 3546 2852

<http://www.facebook.com/damrongsilpgroup>

Website : <http://www.damrongsilp.co.th> Email : info@damrongsilp.co.th

